

DACON RESCUE BASKET

effective method of recovery

MORE THAN
250 SOLD
WORLDWIDE

INTRODUCTION

- Stable and effective method of recovery
- Perfect for mass rescue situations
- Rugged aluminium construction with soft padding
- Low floating position for easy entry
- Quick- folding lifting mast for convenient stowage

SAFETY

The Basket is completely padded for protection of occupants. A large float in the mast prevents capsizing. Metal net covered sides for safety.

FENDERS

Fenders rotate for easy recovery of casualties and for protection when hauled against the ship side.

LIFTING MAST

The mast folds/ erects in seconds without tools.

Typical Applications

ERRV/ Standby
Navy Ships
Offshore Support
SAR Cutters
Commercial Vessels to
meet SOLAS III-17-1 req.

Accepted
by
NMD/ UKOOA



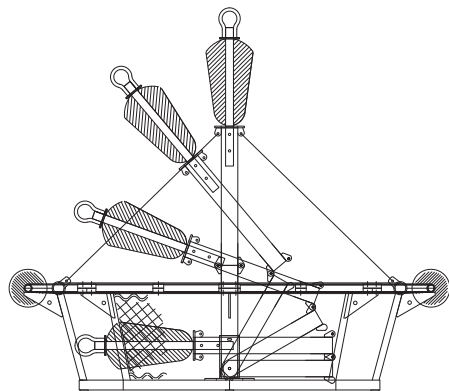
www.daconrescue.com e-mail: rescue@dacon.no

Certified NS-EN ISO 9001:2015, NS-EN ISO 14001:2015, NS-EN ISO 45001:2018

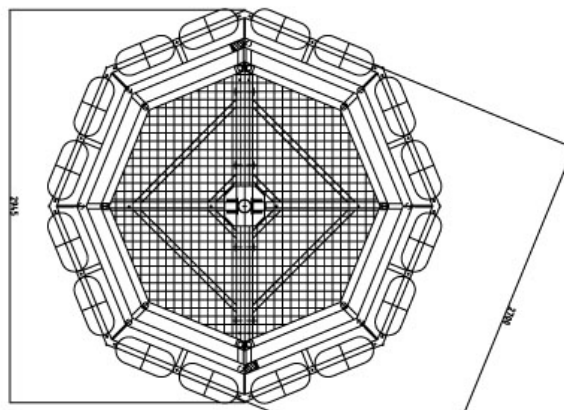


DACON RESCUE BASKET

effective method of recovery



Dacon Rescue Basket with foldable mast



SPECIFICATIONS

Model	RB-300	RB-250
Capacity:	8 persons	6 persons
Test load:	900 kg	700 kg
(Evenly distributed load)	2500 kg	2500 kg

Dimensions & Weight

Diameter:	3000 mm	2500 mm
Height:	2800 mm	2400 mm
Height folded mast:	765 mm	670 mm
Weight:	155 kg	120 kg

Shipping Dimensions (shipped as two half sections)

Length:	3000 mm	2600 mm
Width:	1650 mm	1400 mm
Height:	1100 mm	900 mm

MATERIALS

Structure:	Aluminium
Floor:	Expanded aluminium plate
Wire & fittings:	Stainless steel
Floats:	Expanded PVC
Side net:	Aluminium
Fittings:	Stainless steel

